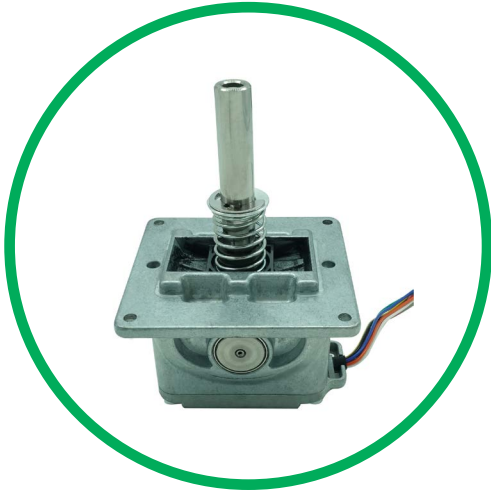


# AJ11

## JOYSTICK

### Introduction

AJ11 is a new generation single axis joystick from Sensata-DeltaTech Controls® that provides the reliability and long life required in demanding environmental conditions such as heavy duty industrial applications. The high mechanical strength of the shaft and housing make the joystick ideal for rigorous use in rugged, harsh environments. 3D Hall-effect sensors provide high accuracy and stable output. Joystick assembly is available for various multifunction grips.



### Features

- Contactless Hall-effect sensing technology
- Life greater than 5 million cycles
- Integrated temperature compensation
- Standard or customized multifunction grips

### Custom Modifications

- Output characteristics
- Operating force
- Lever deflection angle
- Multifunction grips

## SPECIFICATIONS

### Electrical

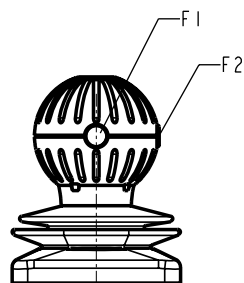
<b>Supply Ratings</b>	<b>System Voltage</b>	5V±0.1V	
	<b>Supply Current</b>	<15mA @5V DC	
	<b>Overvoltage @5V DC</b>	+15V, -14V	
<b>Output Type</b>	Analog 0.5 ... 4.5V DC, center 2.5 ± 0.15V		
<b>Other Electrical</b>	EMI 100 V/m		
<b>EMC</b>	IEC 61000-4-2	±8KV Contact Discharge	
		±15KV Air Discharge	

## Mechanical

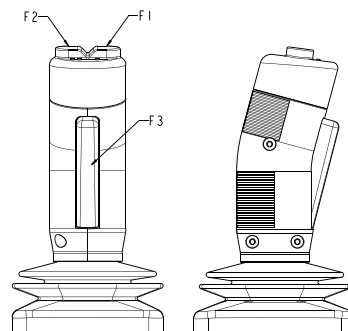
<b>Life</b>	> 5 million cycles
<b>Operating Temperature</b>	-20°C to 85°C
<b>Horizontal Maximum Load</b>	110Nm
<b>Vertical Maximum Load</b>	3000N
<b>Max. Torque (Z-axis)</b>	20Nm
<b>Operating Force</b>	18N @80mm
<b>Protection Level</b>	IP65
<b>Y Axis Only</b>	±20°
<b>Linear Accuracy</b>	<2%FS
<b>Center Position Tolerance</b>	±1.5°
<b>Weight</b>	740g
<b>Base</b>	ZDC1 ( Zinc + Aluminum alloy)
<b>Boot</b>	EPDM(black)
<b>Grip</b>	PA6
<b>Cable</b>	Customize

## MULTIFUNCTION GRIPS

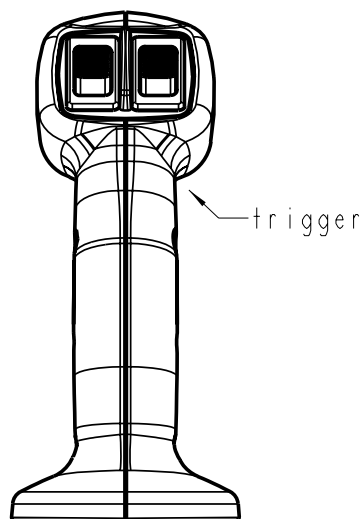
MFG Ball



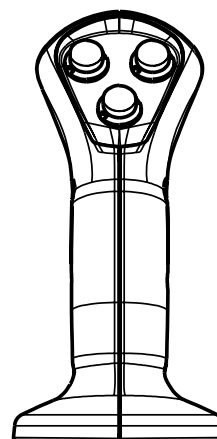
MFG S2



MFG S4



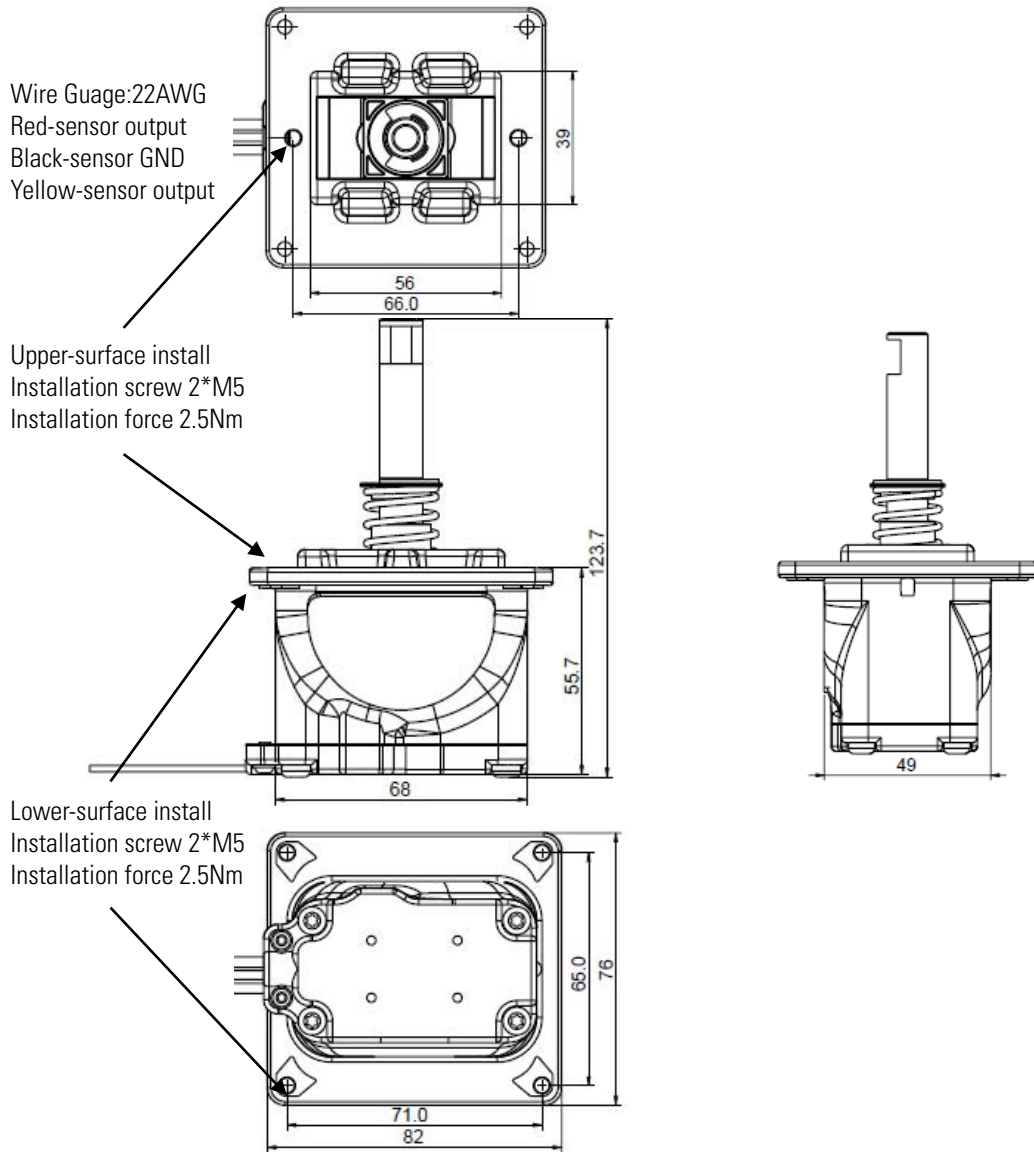
MFG S7

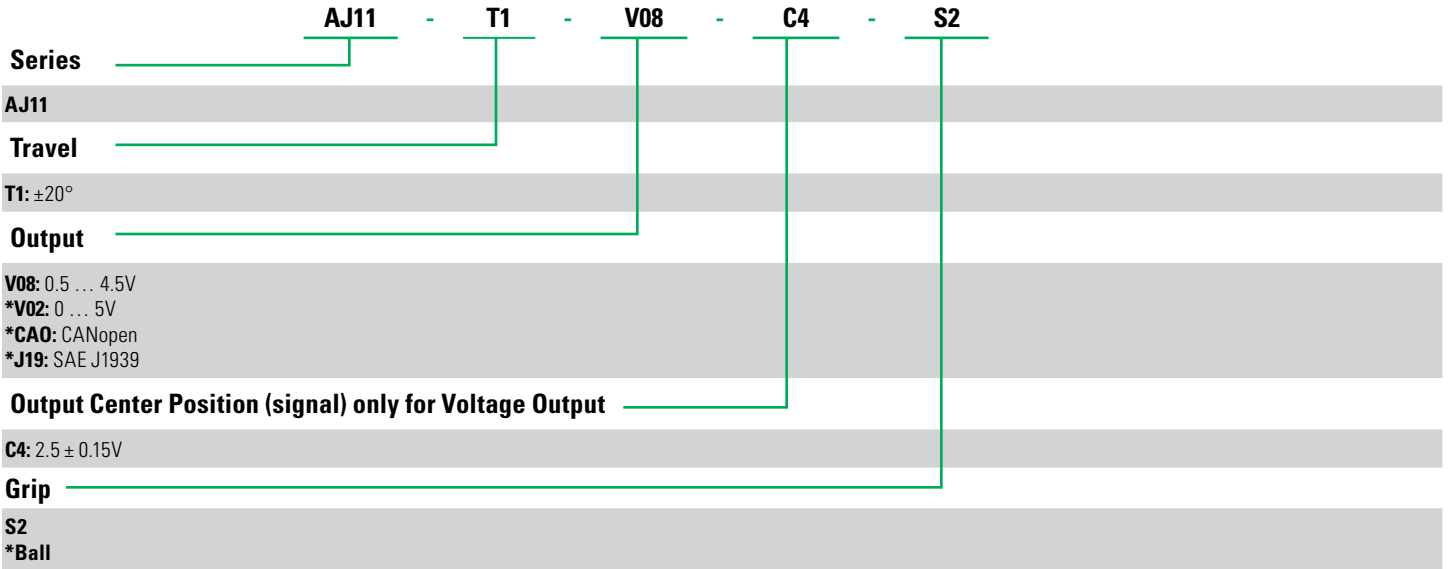




## DIMENSIONS

Dimensions are in millimeters (mm)





\*Consult factory for availability

Sensata Technologies, Inc. ("Sensata") data sheets are solely intended to assist designers ("Buyers") who are developing systems that incorporate Sensata products (also referred to herein as "components"). Buyer understands and agrees that Buyer remains responsible for using its independent analysis, evaluation and judgment in designing Buyer's systems and products. Sensata data sheets have been created using standard laboratory conditions and engineering practices. Sensata has not conducted any testing other than that specifically described in the published documentation for a particular data sheet. Sensata may make corrections, enhancements, improvements and other changes to its data sheets or components without notice.

Buyers are authorized to use Sensata data sheets with the Sensata component(s) identified in each particular data sheet. HOWEVER, NO OTHER LICENSE, EXPRESS OR IMPLIED, BY ESTOPPEL OR OTHERWISE TO ANY OTHER SENSATA INTELLECTUAL PROPERTY RIGHT, AND NO LICENSE TO ANY THIRD PARTY TECHNOLOGY OR INTELLECTUAL PROPERTY RIGHT, IS GRANTED HEREIN. SENSATA DATA SHEETS ARE PROVIDED "AS IS". SENSATA MAKES NO WARRANTIES OR REPRESENTATIONS WITH REGARD TO THE DATA SHEETS OR USE OF THE DATA SHEETS, EXPRESS, IMPLIED OR STATUTORY, INCLUDING ACCURACY OR COMPLETENESS. SENSATA DISCLAIMS ANY WARRANTY OF TITLE AND ANY IMPLIED WARRANTIES OF MERCHANTABILITY, FITNESS FOR A PARTICULAR PURPOSE, QUIET ENJOYMENT, QUIET POSSESSION, AND NON-INFRINGEMENT OF ANY THIRD PARTY INTELLECTUAL PROPERTY RIGHTS WITH REGARD TO SENSATA DATA SHEETS OR USE THEREOF.

All products are sold subject to Sensata's terms and conditions of sale supplied at [www.sensata.com](http://www.sensata.com) SENSATA ASSUMES NO LIABILITY FOR APPLICATIONS ASSISTANCE OR THE DESIGN OF BUYERS' PRODUCTS. BUYER ACKNOWLEDGES AND AGREES THAT IT IS SOLELY RESPONSIBLE FOR COMPLIANCE WITH ALL LEGAL, REGULATORY AND SAFETY-RELATED REQUIREMENTS CONCERNING ITS PRODUCTS, AND ANY USE OF SENSATA COMPONENTS IN ITS APPLICATIONS, NOTWITHSTANDING ANY APPLICATIONS-RELATED INFORMATION OR SUPPORT THAT MAY BE PROVIDED BY SENSATA.

Mailing Address: Sensata Technologies, Inc., 529 Pleasant Street, Attleboro, MA 02703, USA.

### CONTACT US

#### INDUSTRIAL SOLUTIONS DIVISION

**Americas**  
+1 (800) 350 2727  
[sensors.deltatech@sensata.com](mailto:sensors.deltatech@sensata.com)  
**Europe, Middle East & Africa**  
+359 (2) 809 1826  
[ost-info.eu@sensata.com](mailto:ost-info.eu@sensata.com)  
**Asia Pacific**  
[sales.isasia@list.sensata.com](mailto:sales.isasia@list.sensata.com)  
China +86 (21) 2306 1500  
Japan +81 (45) 277 7117  
Korea +82 (31) 601 2004  
India +91 (80) 67920890  
Rest of Asia +886 (2) 27602006  
ext 2808

#### HEAVY VEHICLE & OFF-ROAD DIVISION

**Americas**  
+1 508 236 2196  
[products@sensata.com](mailto:products@sensata.com)  
**Europe, Middle East & Africa**  
+49 30 43 999 0  
[products@sensata.com](mailto:products@sensata.com)  
**Asia Pacific**  
[products@sensata.com](mailto:products@sensata.com)  
China +86 (21) 2306 1500  
Japan +81 (45) 277 7001  
Korea +82 (31) 601 2004