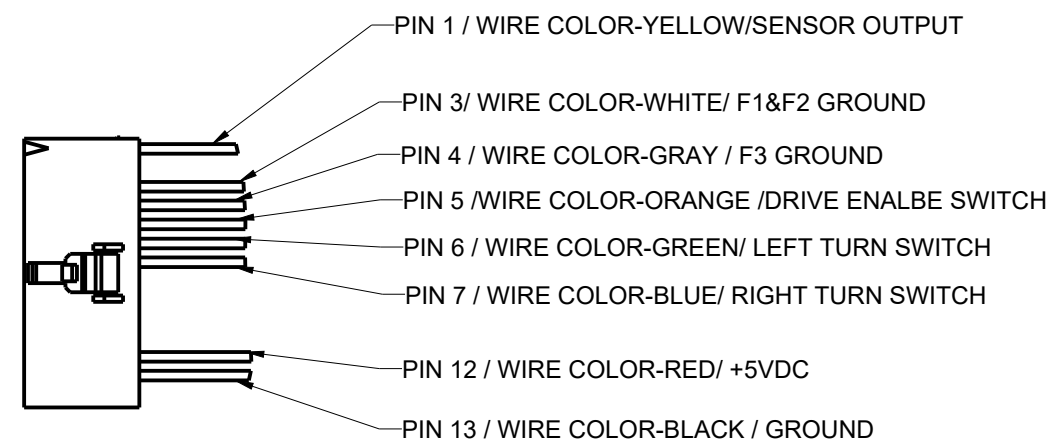
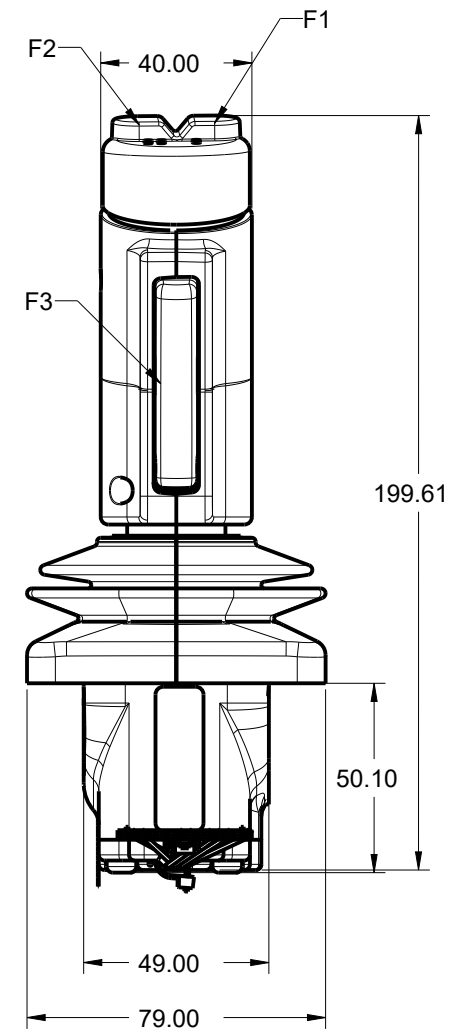
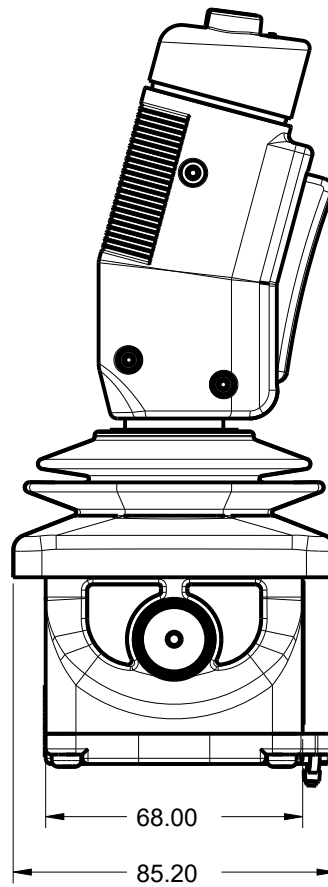
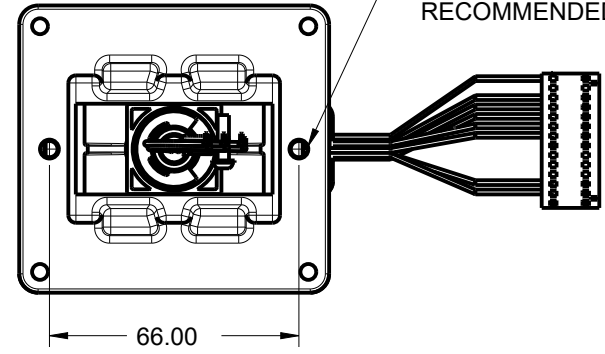
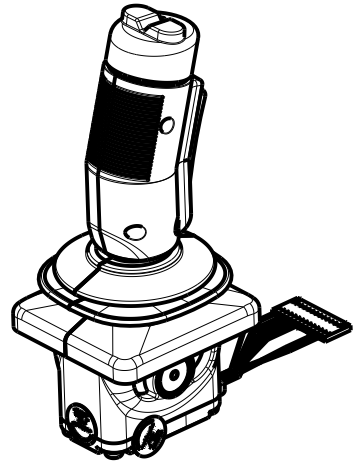


| REVISION TABLE | | | |
|----------------|-------------|------------|------|
| REV | DESCRIPTION | ECN NUMBER | DATE |
| | | | |

TOP MOUNTING
USE 2*M5 PH TORX TAPPING-SCREW
RECOMMENDED INSTALLATION TORQUE 3.05Nm



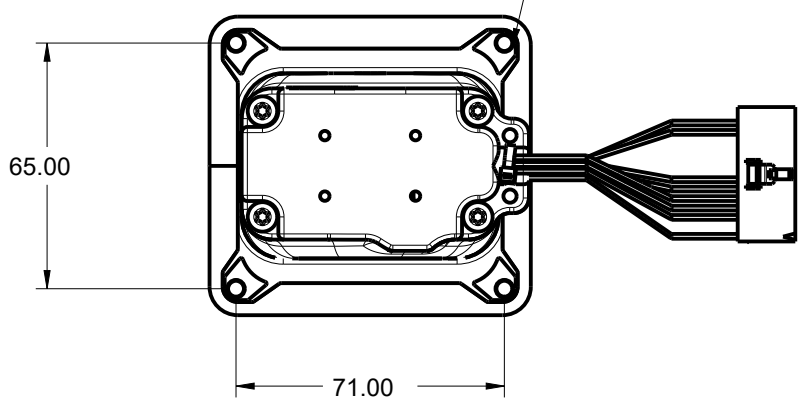
SCALE 1:1



SPECIFICATION

| | | |
|----|---------------------------|--------------------------------|
| 1 | SUPPLY VOLTAGE | 5V±0.1V |
| 2 | SUPPLY CURRENT | <15mA @5Vcc |
| 3 | OVERVOLTAGE @5Vcc | +15V, -14V |
| 4 | LINEAR ACCURACY | <2%FS |
| 5 | HALL SENSOR ANALOG OUTPUT | 0.5~4.5V DC CENTER2.5V+/-0.15V |
| 6 | OPERATING ANGLE | ±20° AT Y AXIS ONLY |
| 7 | WORKING TEMPERATURE | -20°C to 85°C |
| 8 | STORAGE TEMPERATURE | -40°C to 85°C |
| 9 | HORIZONTAL LOAD MAX | 110Nm |
| | VERTICAL LOAD MAX | 3000N |
| | Z-AXIS TORQUE MAX | 20Nm |
| 10 | SEALING PERFORMANCE | IP65 |
| 11 | OPERATING LIFE | > 5M CYCLES |
| 12 | WEIGHT | 880G |

BOTTOM MOUNTING
USE 4*M5 PH TORX TAPPING-SCREW
RECOMMENDED INSTALLATION TORQUE 3.05Nm



| | | | | |
|---|--|--|----------|---|
| AIAG APQP REFERENCE MANUAL, GLOBAL SUPPLIER QUALITY MANUAL (G-SM-01) QMS-1004255, APPX A + FUNCTIONAL SAFETY RELATED SPECIAL ▼ CRITICAL ◆ SIGNIFICANT △ SPC | FOR REFERENCE ONLY, CHECK LATEST REVISION BEFORE USE. PARTS MADE TO THIS PRINT MUST CONFORM TO E9898 REV. E | PURCH X | FAB X | PART NO. 8C40011CC0001 |
| | SENSATA TECHNOLOGIES PROPRIETARY AND CONFIDENTIAL. NEITHER THIS PRINT NOR THE INFORMATION CONTAINED HEREON IS TO BE USED AGAINST THE INTERESTS OF SENSATA TECHNOLOGIES OR AGAINST THE INTERESTS OF ANY OF ITS AFFILIATED COMPANIES OR WHOLLY OWNED SUBSIDIARIES. | | | SUITE 100 5775 WEST OLD SHAKOPEE ROAD BLOOMINGTON, MN 55437 Sensata Technologies |
| DRAWN LEO ZHANG DATE 02APR2020 ENG LEO ZHANG DATE 02APR2020 APPROVED JIE LI DATE 02APR2020 APPROVED DATE | INTERPRET DIMENSIONING AND TOLERANCING PER ASME Y14.5-2009. UNLESS OTHERWISE SPECIFIED DIMENSIONS ARE IN MILLIMETERS. TOLERANCES DECIMALS ANGLE X.X± 0.3 X.X± 0.5 X.XX± 0.13 X.XXX± 0.050 | TITLE JOYSTICK ASSY,AJ11, SAL CN, W/S2 GRIP | | REV. A |
| DO NOT SCALE DRAWING | THIRD ANGLE PROJECTION | SCALE 1:2 | PTC CREO | SHT 1 OF 1 |